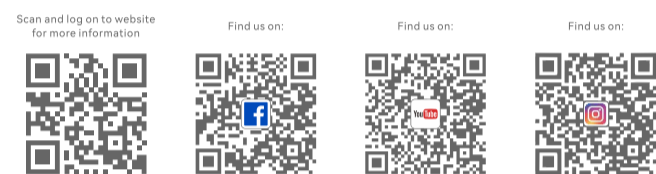




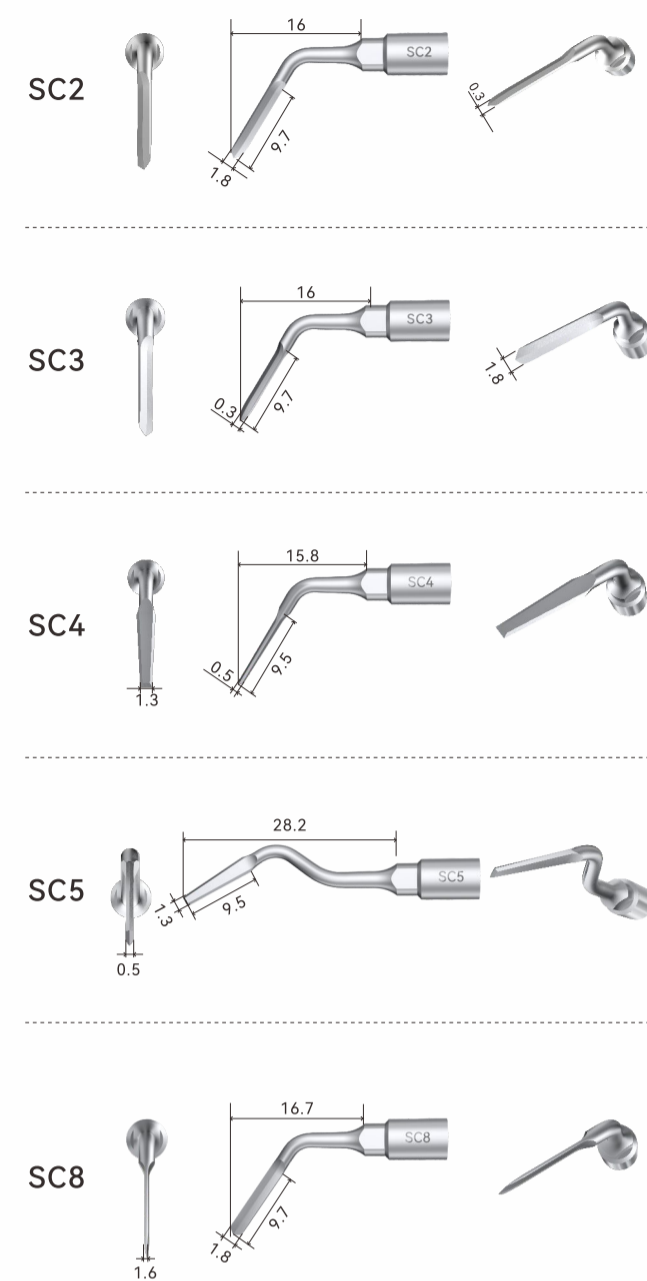
Surgic Smart

Woodpecker Piezo Bone Surgery

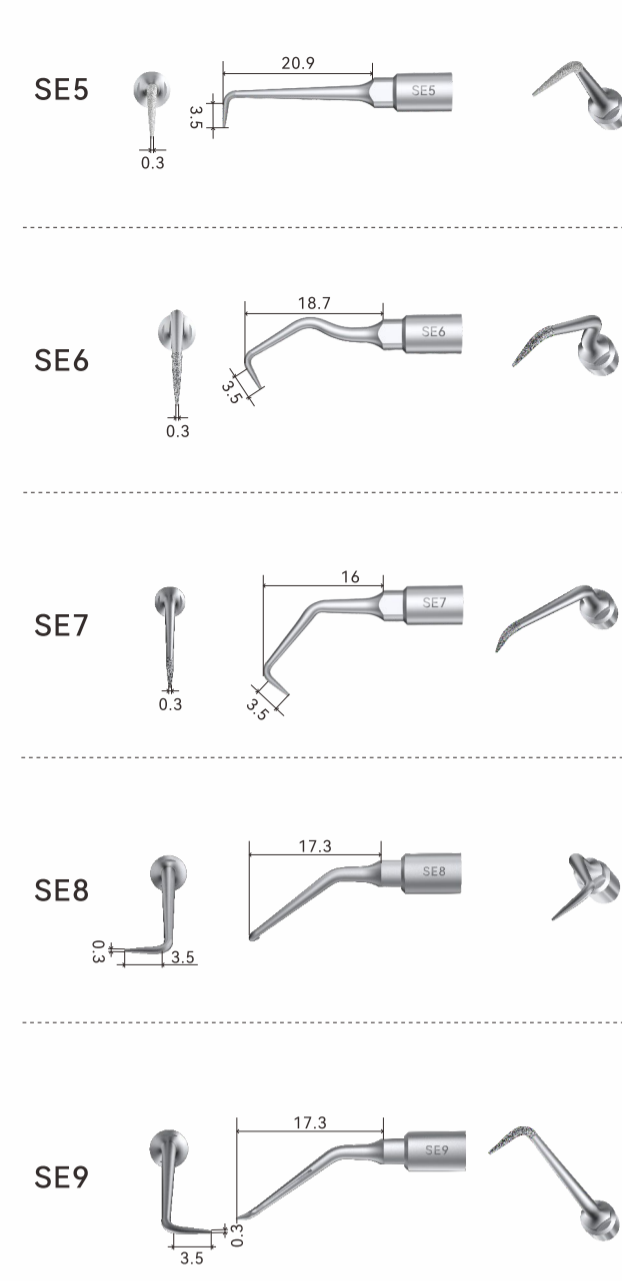


Guilin Woodpecker Medical Instrument Co., Ltd.
Information Industrial Park, Guilin National High-Tech
Zone, Guilin (Guangxi), 541004, P.R. China
Sales Dept.: 46-773-5873196/2355999
After-sales Service Dept.: 0773-5827898
E-mail: woodpecker4@glwoodpecker.com
Website: http://www.glwoodpecker.com
ZHE-UC-006

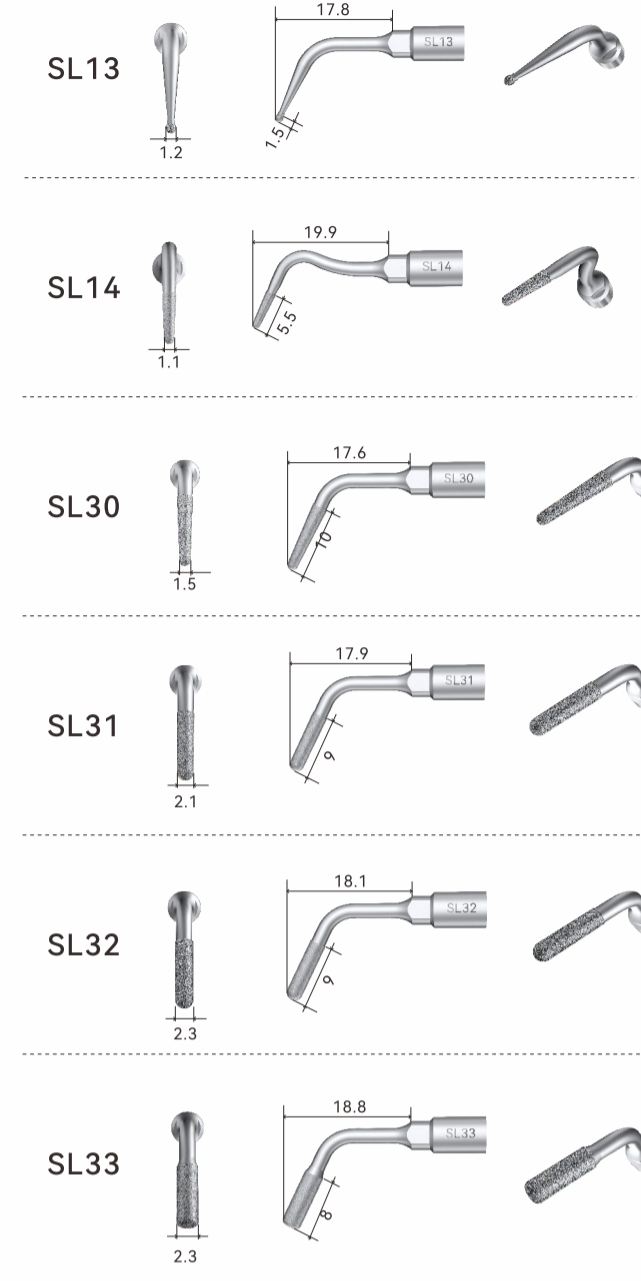
SC Series



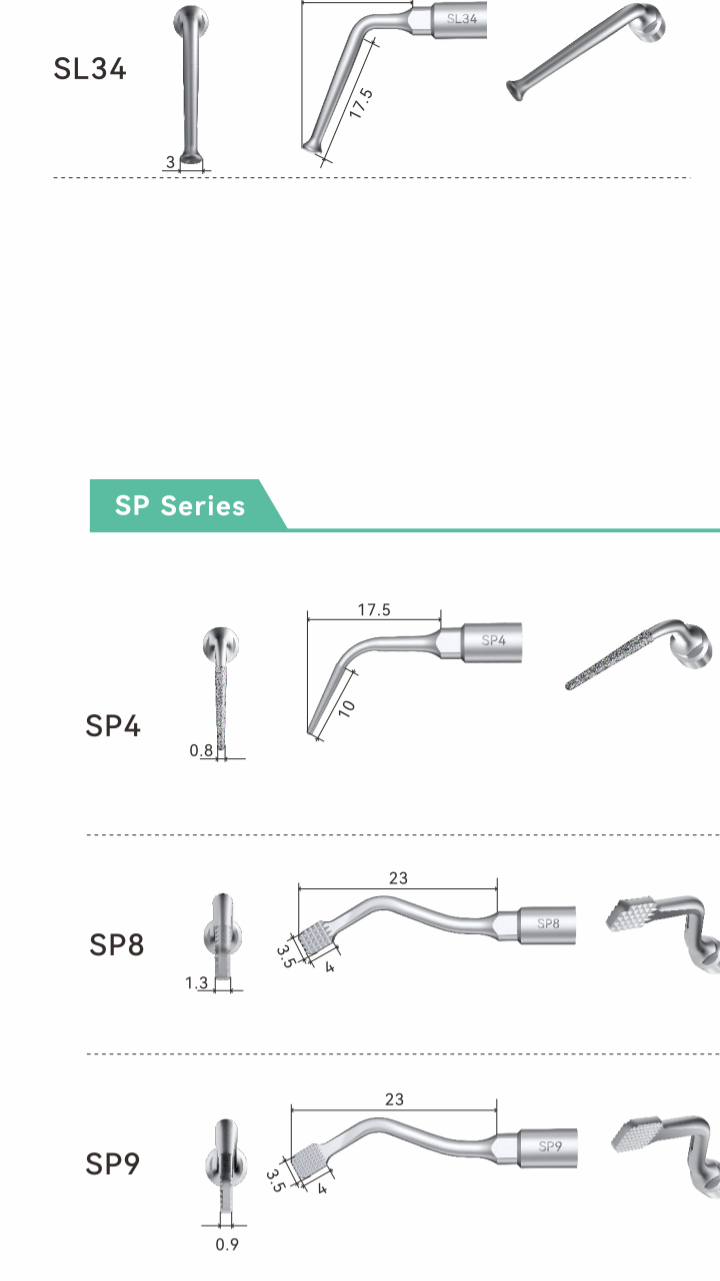
SE Series



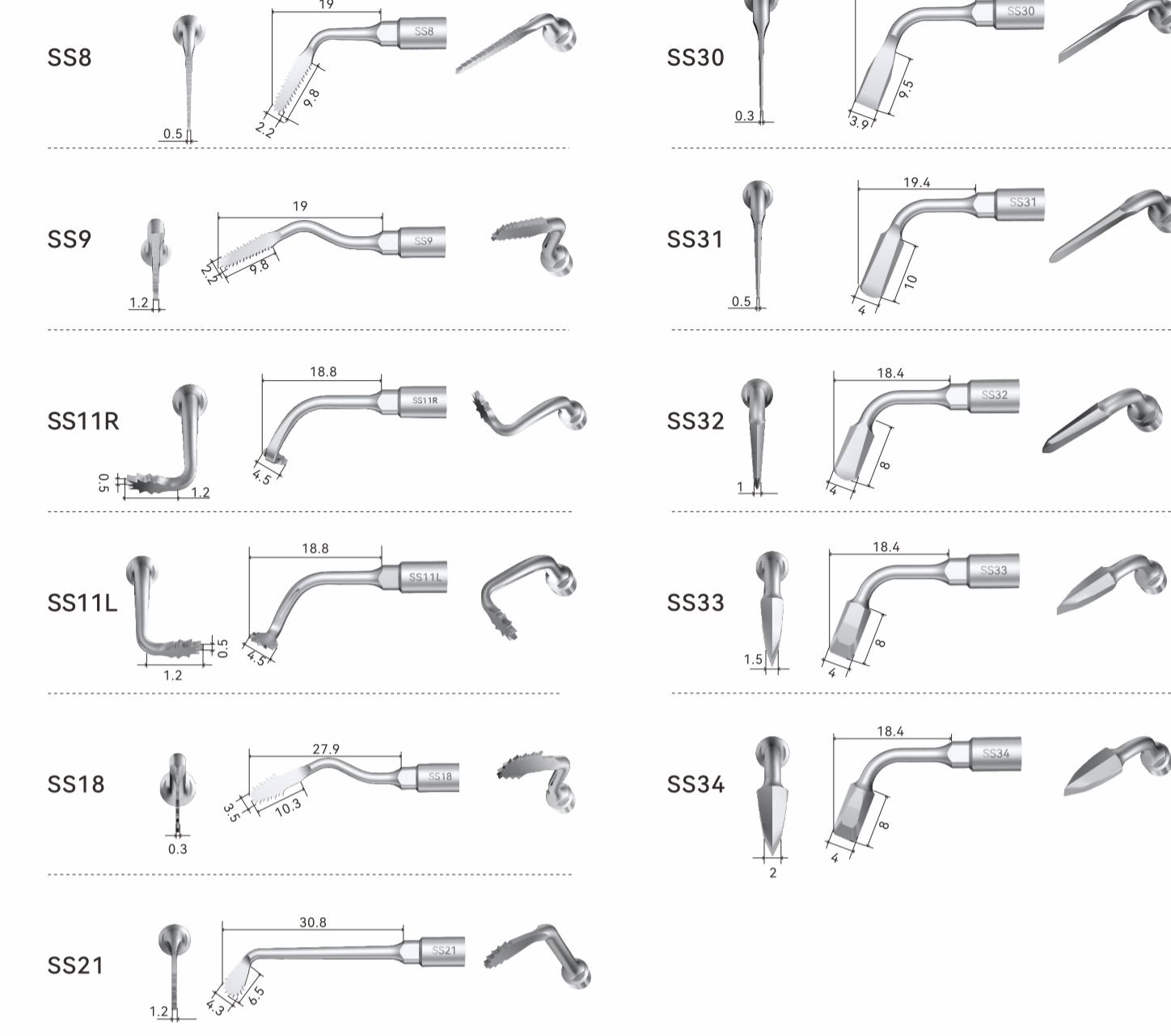
SL Series



SP Series



SS Series



NEWLY UPGRADED

Efficient

Woodpecker fourth generation of Piezo Bone Surgery, with greatly improved cutting efficiency than the third generation

Intelligent

The intelligent system will automatically adjust to the most appropriate output power according to the operation situation to avoid overheating

User-friendly

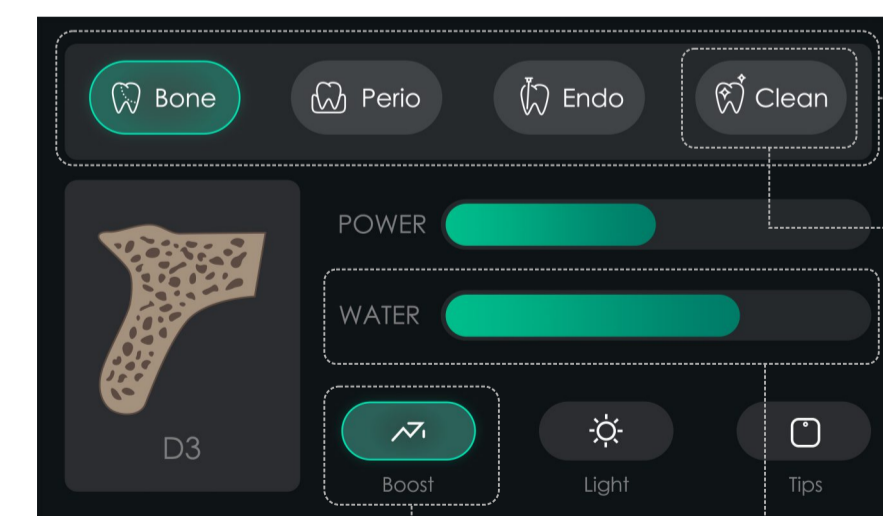
New operation interface, more convenient for doctors to use



EXTREMELY RELIABLE

Convenient operation

Fully upgraded Woodpecker fourth generation of Piezo Bone Surgery, easier to operate



Mode selection

Power varies as per different bone quality

Easy rinse

After each use, rinse the pipeline via control of foot pedal

Water flow adjustment

Different water flow adjustment levels to choose from

One-touch enhancement

Exclusively featured one-touch power enhancement



STRONG POWER

Strong power

Strong power, no handpiece overheating, thanks to:
New enhanced handpiece
Advanced sensing technology
Smart control system

Smart control system

Automatic identification of different bone quality and strength to perform power adjustment, achieving the optimal output
Easy and effort-saving for doctors
Less noise at work



Sterilizable water pipe
External handpiece for easy disassembly and maintenance
Autoclavable



Ultra-quiet peristaltic pump
Continuous and precise flow control; direct water flow to the tip end; efficient cooling
More silent and stable



Multi-function foot pedal
Control of multiple functions
One-button rinse mode

INTELLIGENT AND POWERFUL

Product with the latest technology from WOODPECKER, providing dentists with a superbly reliable and safe ultrasonic surgical system

Basic kits

