



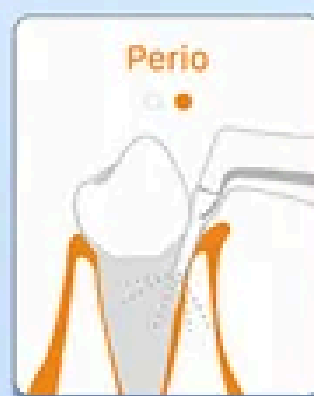
PT MASTER

Dental Scaler & Air Polisher

Two - in - One

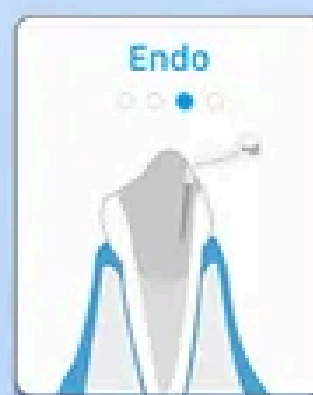
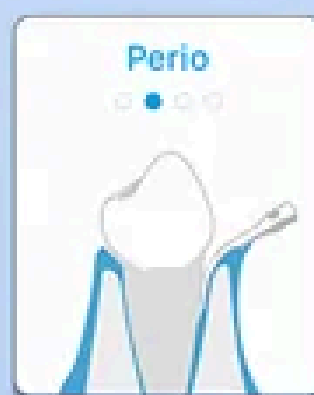
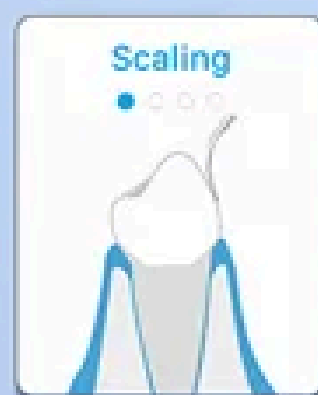
• Air polishing

Achieve both supragingival and subgingival cleansing



• Ultrasonic scaling

4 Modes: Scaling, Perio, Endo and Irrigation



• Colorful

• Super large

• Touch screen



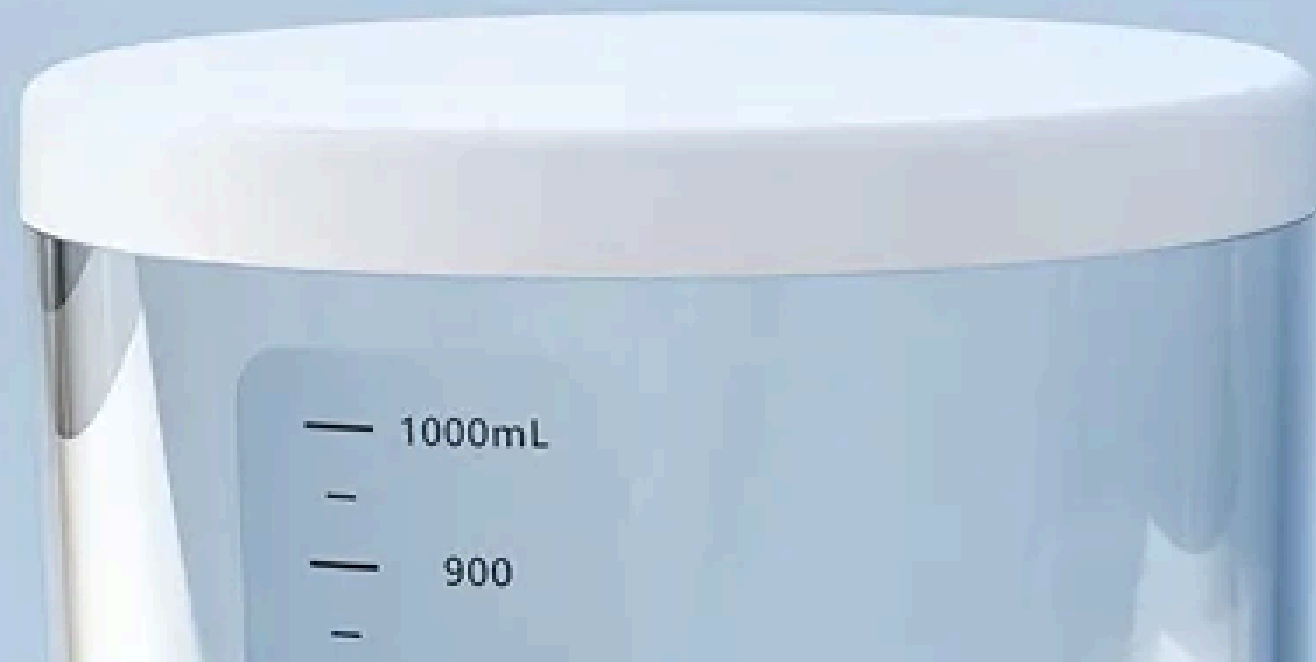
Auto-Identification System

Pick up the handle and automatically switch to working mode





**1000ml Super large
water tank**



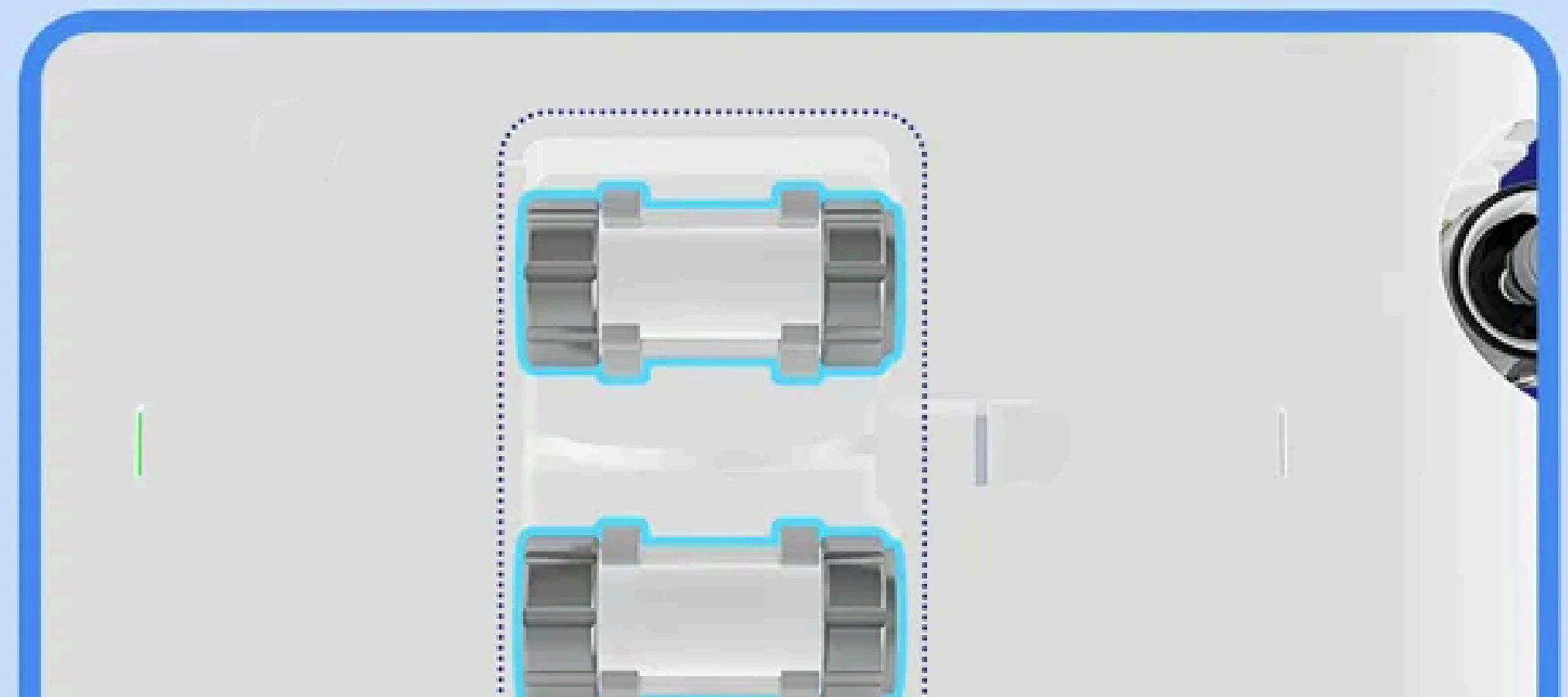
**Funnel-shaped
powder tank**

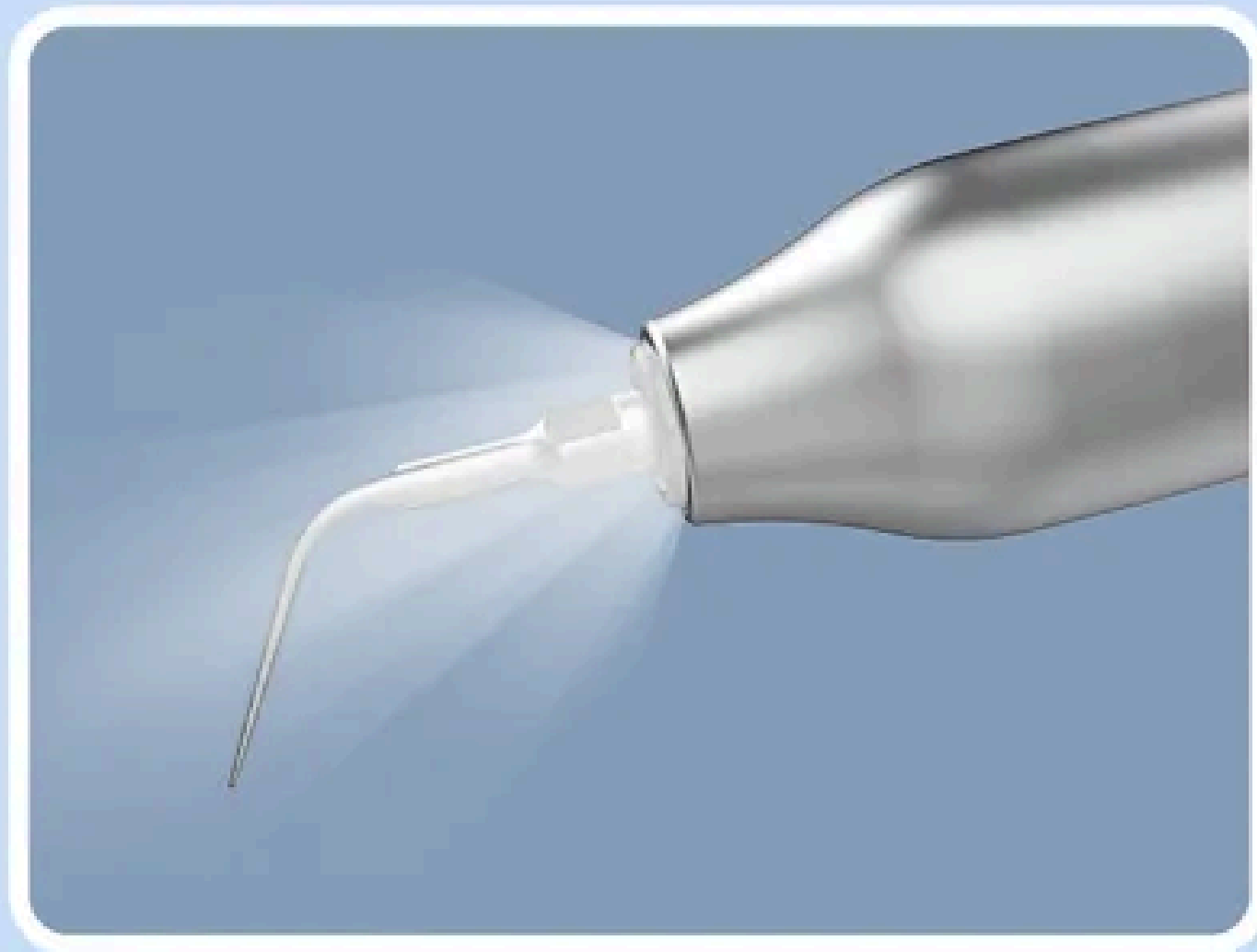




Air filter

**Built-in 2 Water filter
at the bottom**

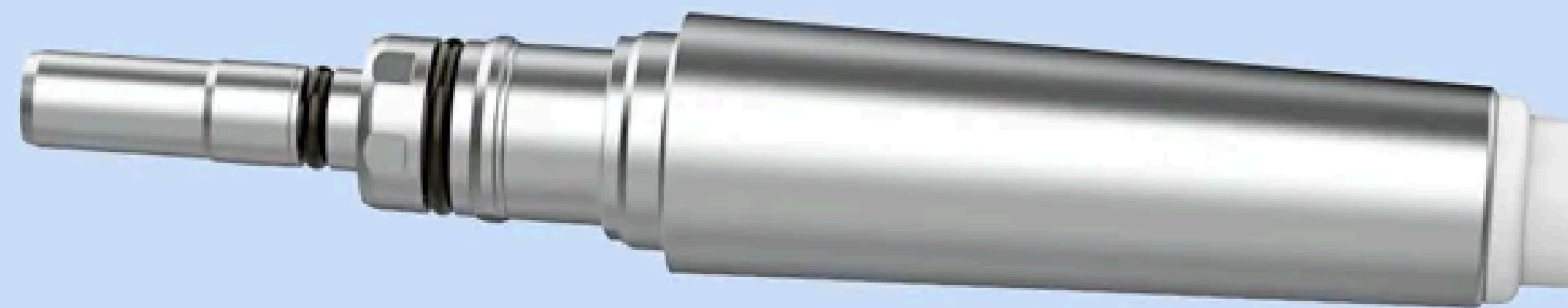




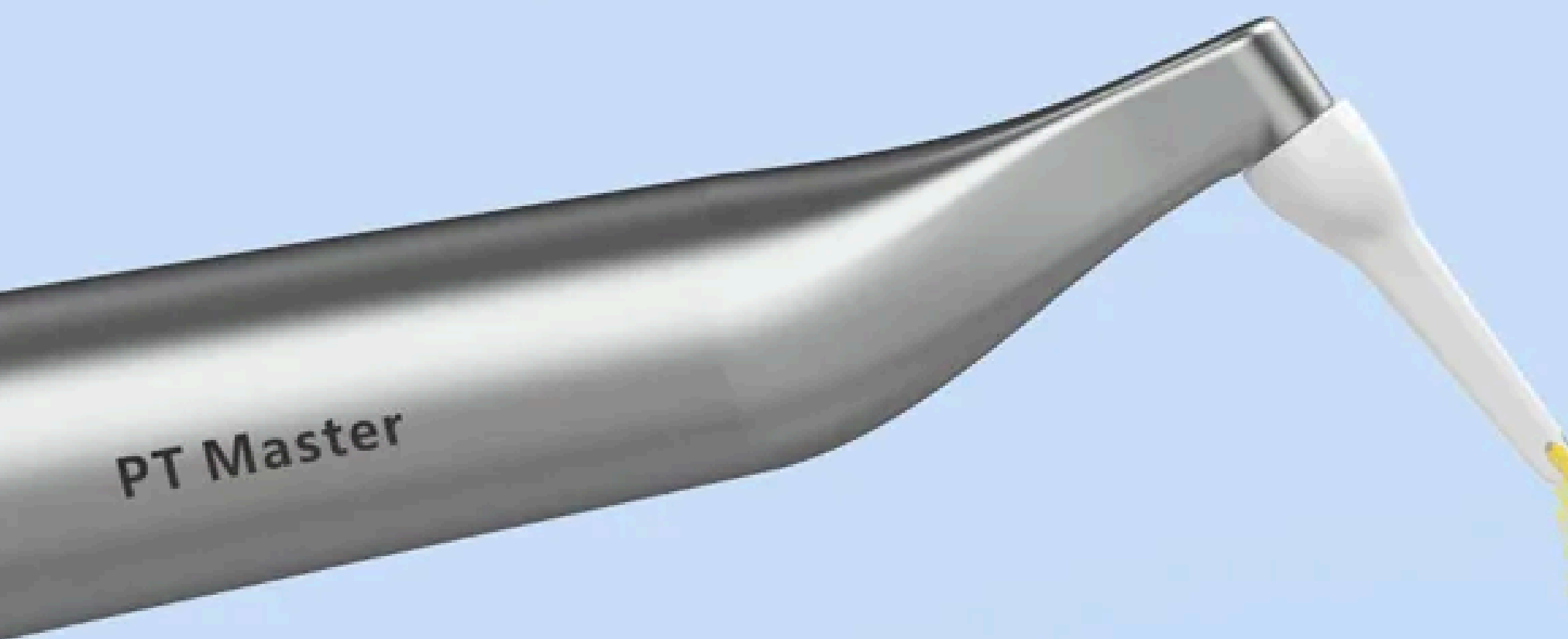
Ultrasonic handle with LED light

Sandblasting handle

- Two-section detachable handpiece, reduce sandblasting blockage, easy for cleaning



- Small calibre nozzle, more concentrated air polishing, more efficient scaling



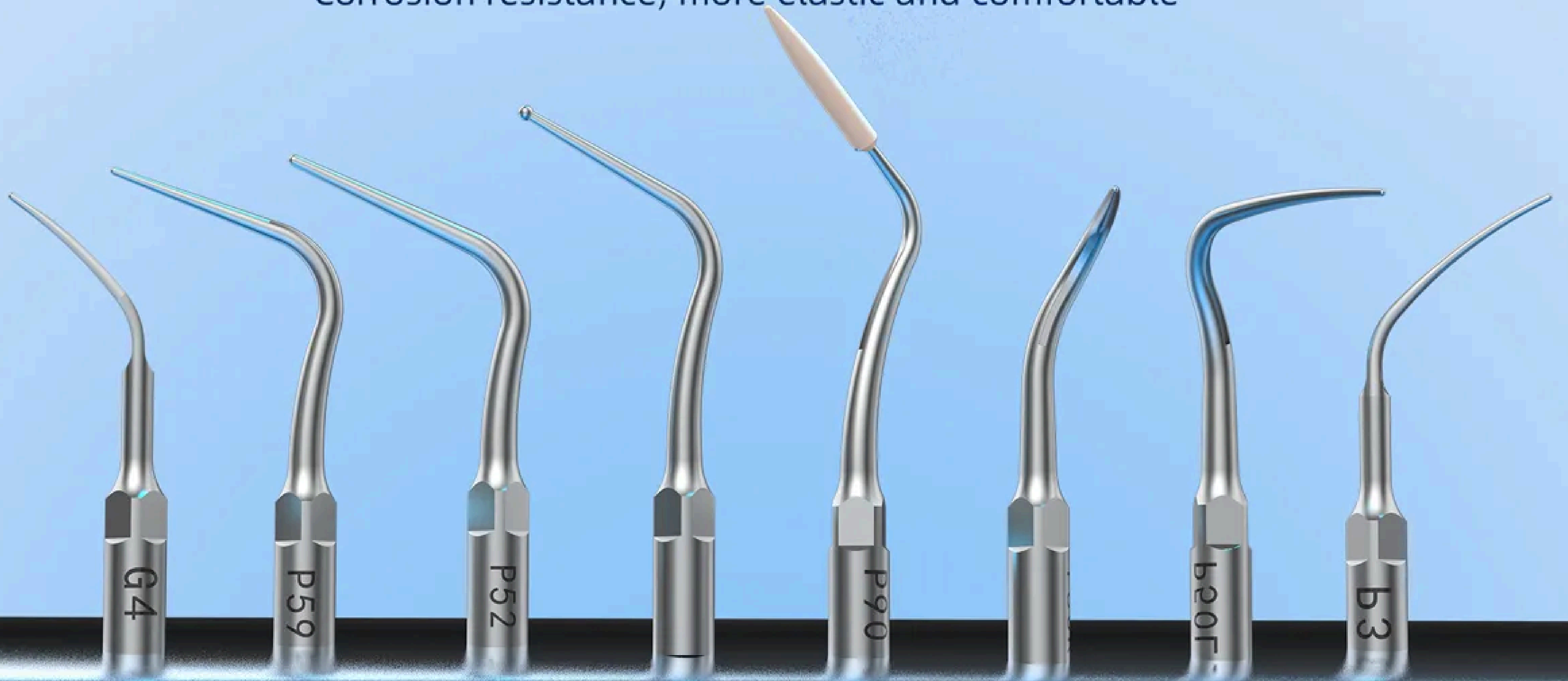
Subgingival nozzle

3 holes for powder, 1 hole for water

The sandblasting is more concentrated, and the sand powder is less flying

Multi-working tips

Titanium alloy material
Corrosion resistance, more elastic and comfortable



More convenient designs

The image shows a control panel for a dental ultrasonic scaler. At the top left, it says "Supragingival" with an hourglass icon. At the top right, there are icons for a hand, a battery, and a speaker. The main control area has two rows of sliders. The first row is for "Prophy" (with a tooth icon) and "Power", both set to "5". The second row is for "Water" (with a water drop icon) and "Water", also set to "5". To the right of these sliders are four function buttons: a button with an hourglass and an upward arrow, a button with a tank and a water tap, a button with three wavy lines, and a button with a gear and a curved arrow. Below the panel, the word "Blasting" is written in orange with a progress indicator. Four blue lines connect the function buttons to their respective labels on the right: "Releasing pressure", "Tank water/ External water", "Heating function", and "One-key flushing".

Control	Value	Function
Power	5	Releasing pressure
Water	5	Tank water/ External water
Heating	-	Heating function
Flushing	-	One-key flushing

Wireless pedal

Unrestricted by angle
Press any edge of the pedal to start

Boost function

Press hard on the center of the pedal
to activate the **BOOST** function

BOOST function can enhance powder volume

